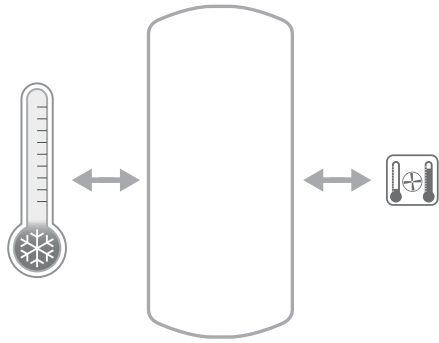


ACQUA REFRIGERATA INOX

VERTICAL STAINLESS STEEL 304 CHILLED WATER TANK



Suitable for outdoor installation

PRESSURE	TEMPERATURE
Pmax	Tmax
6 bar	-30 / +60 °C



TECHNICAL DESCRIPTION

The chilled water accumulation tanks are designed to be installed in air conditioning systems to increase inertia and in those with low water content, to minimize the number of hourly starts of the refrigeration unit to save its duration

MATERIAL

Stainless steel 304

EXTERNAL LINING

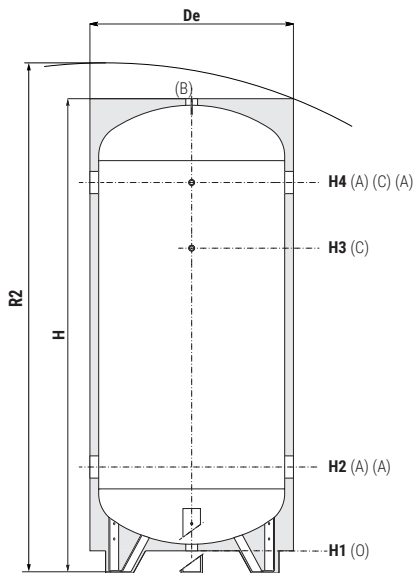
Galvanized and painted metallic cover.

INSULATION

High thermal insulation with ecological polyurethane hard foam.

WARRANTY

2 years-See general sales conditions and warranty.

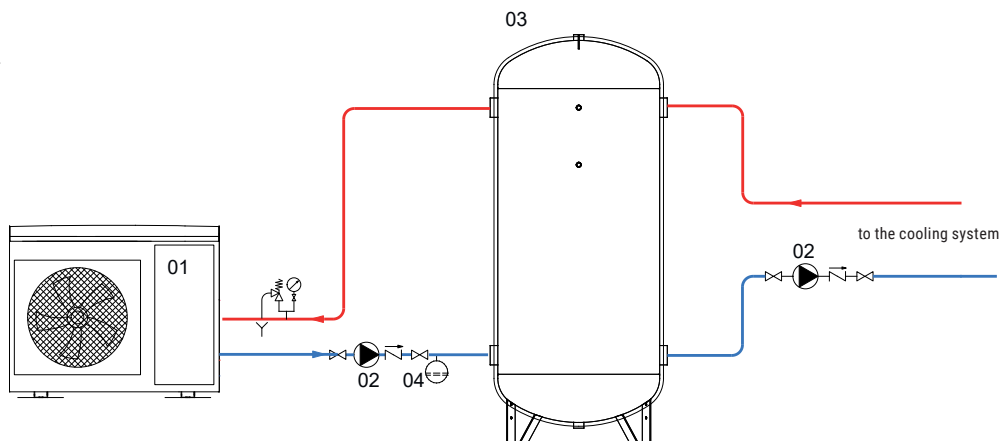


Model ACQ. REF. XB 20 VT

Model	ACQ. REF. XB 20 VT	
	Art. Nr.	€
100	3001012310001	1.060,00
200	3001012310002	1.281,00
300	3001012310003	1.567,00
500	3001012310004	2.279,00
800	3001012310005	3.190,00
1000	3001012310006	3.685,00

- A** To the System
- B** Safety Valve
- C** Connection for instrumentation 1/2" F
- O** Drain

Model	Weight [Kg]	Volume [lt]	De	H	R2	[mm]				Connections F		
						H1	H2	H3	H4	B-O	A	C
100	27	100	460	1006	1115	85	296	601	801	1"1/4	1"1/2	1/2"
200	40	188	520	1407	1505	80	301	931	1181	1"1/4	1"1/2	1/2"
300	51	289	620	1515	1645	69	336	926	1176	1"1/4	2"	1/2"
500	87	495	720	1803	1950	58	370	1170	1420	1"1/4	3"	1/2"
800	121	788	830	2110	2275	116	458	1458	1758	1"1/4	3"	1/2"
1000	140	1036	930	2160	2360	102	480	1480	1780	1"1/2	3"	1/2"



- 01 Generator
- 02 Air conditioning system circulation group
- 03 Acqua Refrigerata tank
- 04 Expansion vessel

INERTIAL AND CHILLED WATER TANKS